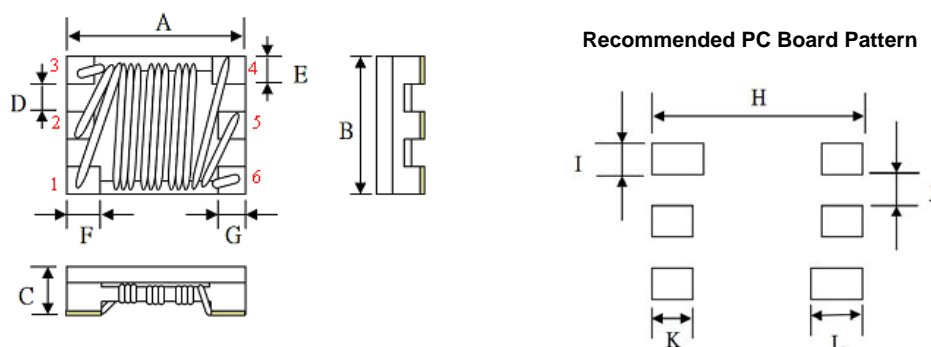


## 1. Features

1. High common mode impedance at high frequency effects excellent noise suppression performance.
2. TCM322512F3SFV series realizes small size and low profile.
3. 100% Lead(Pb) & Halogen-Free and RoHS compliant.
4. High reliability -Reliability tests comply with AEC-Q200
5. Operating temperature-40~+125°C (Including self - temperature rise)



## 2. Dimension



| Series      | A(mm)   | B(mm)   | C(mm)    | D(mm)    | E(mm)    | F(mm)    | G(mm)   | H(mm) | I(mm) | J(mm) | K(mm) | L(mm) |
|-------------|---------|---------|----------|----------|----------|----------|---------|-------|-------|-------|-------|-------|
| 322512F3SFV | 3.2±0.2 | 2.5±0.2 | 1.3 max. | 0.29±0.1 | 0.64±0.1 | 0.60±0.1 | 0.5±0.1 | 3.9   | 0.55  | 0.5   | 0.8   | 1.0   |

Units: mm

## 3. Part Numbering

|     |        |   |   |   |   |   |   |     |   |    |
|-----|--------|---|---|---|---|---|---|-----|---|----|
| TCM | 322512 | F | 3 | S | F | V | - | 161 | T | 02 |
| A   | B      | C | D | E | F | G |   | H   | I | J  |

- A: Series  
 B: Dimension  
 C: Material                      Ferrite Core  
 D: Number of Lines          3=3 lines  
 E: Type                            S=Shielded , N=Unshielded  
 F: Lead free type  
 G: Category Code              V=Vehicle  
 H: Impedance                    161=160Ω±25%  
 I: Packaging                        T=Taping and Reel  
 J: Rated Current                02=200 mA

## 4. Specification

| TAI-TECH Part Number  | Common mode Impedance (Ω) | Test Frequency (MHz) | DC Resistance (Ω) max. | Rated Current (mA) | Rated Volt. (Vdc) | Withstand Volt. (Vdc) | IR (Ω) min. |
|-----------------------|---------------------------|----------------------|------------------------|--------------------|-------------------|-----------------------|-------------|
| TCM322512F3SFV-161T02 | 160±25%                   | 100                  | 0.21                   | 200                | 50                | 125                   | 10M         |
| TCM322512F3SFV-501T05 | 500±25%                   | 100                  | 0.43                   | 500                | 50                | 125                   | 10M         |

