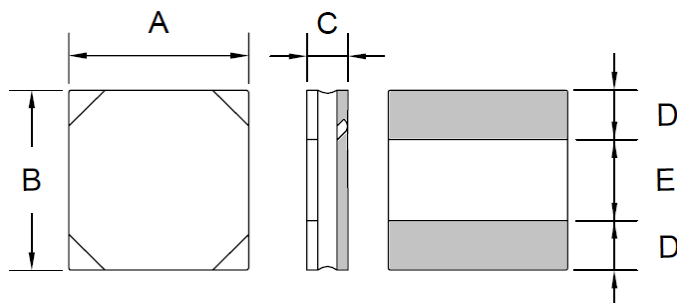


1. Features

1. This specification applies Low Profile Power Inductors.
2. 100% Lead(Pb) & Halogen-Free and RoHS compliant.
3. High reliability -Reliability tests comply with AEC-Q200
4. Operating temperature-55~+125°C (Including self - temperature rise)



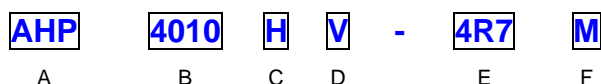
2. Dimension



Series	A(mm)	B(mm)	C(mm)	D(mm)	E(mm)
AHP4010HV	4.0±0.2	4.0±0.2	1.0 max.	1.4±0.25	1.2±0.25

Units: mm

3. Part Numbering



A: Series
 B: Dimension
 C: Lead Free
 D: Category Code
 E: Inductance
 F: Inductance Tolerance

V=Vehicle
 4R7=4.7uH
 M=±20%

4. Specification

TAI-TECH Part Number	Inductance (uH)	Tolerance (%)	Test Frequency (Hz)	DCR (Ω) tpy.	DCR (Ω) Max.	I sat (A)typ.	I sat (A)Max.	I rms (A)typ.	I rms (A)Max.
AHP4010HV-R47M	0.47	±20%	1V100K	0.038	0.045	8.00	7.00	4.50	4.00
AHP4010HV-R68M	0.68	±20%	1V100K	0.050	0.060	7.00	6.00	4.00	3.50
AHP4010HV-1R0M	1.0	±20%	1V100K	0.059	0.069	6.00	5.00	3.50	3.20
AHP4010HV-1R5M	1.5	±20%	1V100K	0.062	0.075	4.00	3.50	3.50	3.00
AHP4010HV-2R2M	2.2	±20%	1V100K	0.075	0.090	3.10	2.60	3.00	2.50
AHP4010HV-3R3M	3.3	±20%	1V100K	0.115	0.140	2.80	2.30	2.50	2.00
AHP4010HV-4R7M	4.7	±20%	1V100K	0.200	0.240	2.50	2.00	2.10	1.70
AHP4010HV-6R8M	6.8	±20%	1V100K	0.300	0.360	2.10	1.80	1.60	1.40
AHP4010HV-100M	10.0	±20%	1V100K	0.440	0.510	1.80	1.50	1.40	1.20

Note:

Isat : Based on inductance change ($\Delta L/L0 : \leq 30\%$) @ ambient temp. 25°C

Irms : Based on temperature rise ($\Delta T : 40^\circ\text{C}.$) Max

Measurement board data

Material : FR4

Board dimensions : 100 X 50 X 1.6t mm

Pattern dimensions: 45 X 30 mm (Double side board)

Pattern thickness : 50 μm

