

Power Inductor

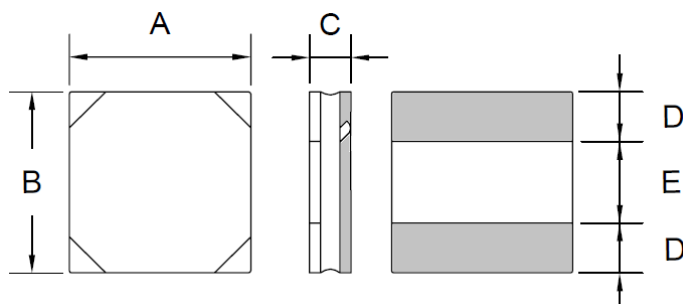
AHP3010HV-SERIES

1. Features

1. This specification applies Low Profile Power Inductors.
2. 100% Lead(Pb) & Halogen-Free and RoHS compliant.
3. High reliability -Reliability tests comply with AEC-Q200
4. Operating temperature-55~+125°C (Including self - temperature rise)



2. Dimension



Series	A(mm)	B(mm)	C(mm)	D(mm)	E(mm)
AHP3010HV	3.0±0.2	3.0±0.2	1.0max.	1.0 ref.	1.0 ref.

Units: mm

3. Part Numbering

AHP
3010
H
V
-
2R2
M

A: Series

B: Dimension

C: Lead Free

D: Category Code

V=Vehicle

E: Inductance

2R2=2.2uH

F: Inductance Tolerance

M=±20%

TAI-TECH Part Number	Inductance (uH)	Tolerance (%)	Test Frequency (Hz)	DCR (Ω) typ.	DCR (Ω) max.	I sat (A) typ.	I sat (A) Max.	I rms (A) typ.	I rms (A) Max.
AHP3010HV-R47M	0.47	±20%	1V/1M	0.033	0.039	6.80	5.80	4.00	3.50
AHP3010HV-R68M	0.68	±20%	1V/1M	0.048	0.058	6.00	5.00	3.80	3.00
AHP3010HV-1R0M	1.0	±20%	1V/1M	0.068	0.080	5.30	4.60	3.00	2.50
AHP3010HV-1R5M	1.5	±20%	1V/1M	0.087	0.100	4.00	3.50	2.80	2.30
AHP3010HV-2R2M	2.2	±20%	1V/1M	0.115	0.135	3.20	2.70	2.30	2.00
AHP3010HV-3R3M	3.3	±20%	1V/1M	0.210	0.238	2.50	2.20	1.80	1.50
AHP3010HV-4R7M	4.7	±20%	1V/1M	0.265	0.315	2.20	1.90	1.60	1.30
AHP3010HV-6R8M	6.8	±20%	1V/1M	0.300	0.360	1.70	1.40	1.30	1.10
AHP3010HV-100M	10	±20%	1V/1M	0.360	0.420	1.30	1.10	1.10	1.00

Note:

Isat : Based on inductance change ($\Delta L/L0 : \leq 30\%$) @ ambient temp. 25°C

Irms : Based on temperature rise ($\Delta T : 40^\circ\text{C}.$) Max

Measurement board data

Material : FR4

Board dimensions : 100 X 50 X 1.6t mm

Pattern dimensions: 45 X 30 mm (Double side board)

Pattern thickness : 50 μm

