

# Wire Wound Type Common Mode Filter

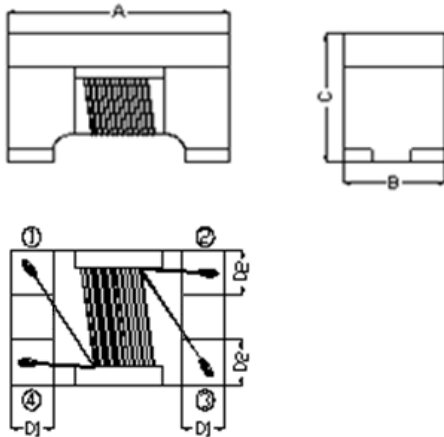
ACM3225F2DV-SERIES-D

## 1. Features

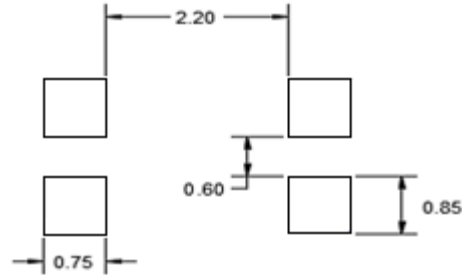
1. High common mode impedance at high frequency effects excellent noise suppression performance.
2. ACM3225F2DV series realizes small size and low profile 3.2x2.5x2.5 mm
3. 100% Lead(Pb) & Halogen-Free and RoHS compliant.
4. Operating temperature -55~+150°C (Including self - temperature rise)
5. High reliability -Reliability tests comply with AEC-Q200



## 2. Dimension



Recommended PC Board Pattern



Series	A(mm)	B(mm)	C(mm)	D1(mm)	D2(mm)
3225F2DV	3.3±0.2	2.5±0.2	2.5 max	0.55±0.15	0.75±0.20

Units: mm

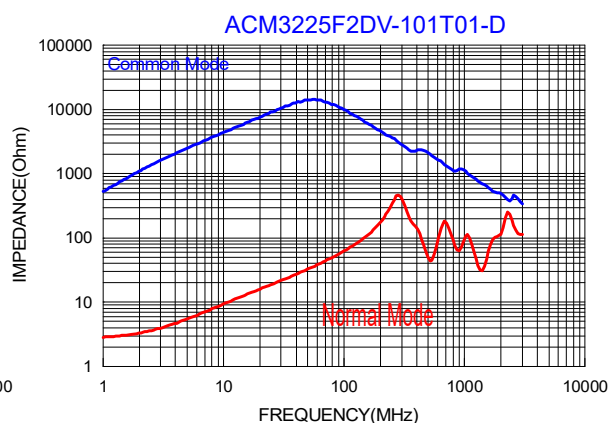
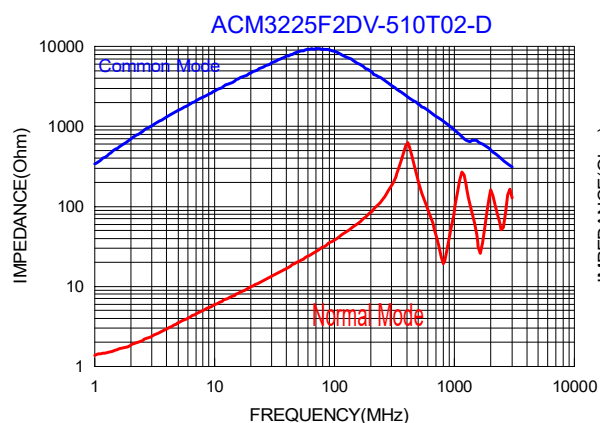
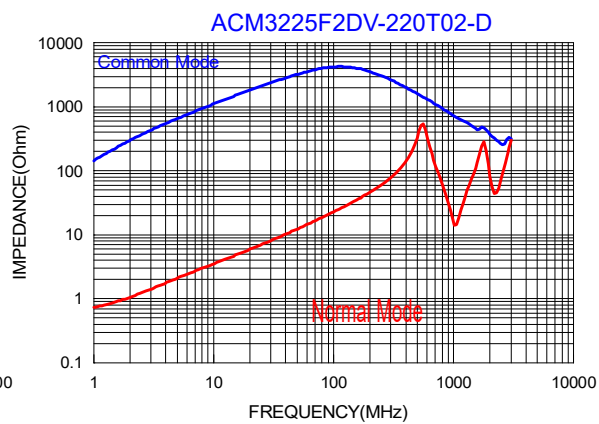
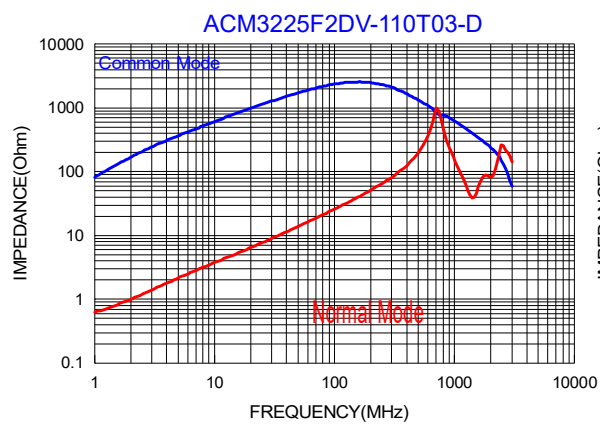
## 3. Part Numbering



- A: Series
- B: Dimension
- C: Material            Ferrite Core
- D: Number of Lines    2=2 lines
- E: Type                 W4D
- F: Category Code        V=Vehicle
- G: Inductance            110=11(μH)
- H: Packaging             T=Taping and Reel
- I: Rated Current         03=300mA
- J: Control S/N

## 4. Specification

TAI-TECH Part Number	Common mode Impedance (Ω) [10MHz]		Inductance(μH) +50/-30% [100kHz/0.1V]	DC Resistance (Ω) max.	Rated Current (mA) max.	Rated voltage (Vdc) max.	IR (MΩ) min.
	300 min.	550 typ.					
ACM3225F2DV-110T03-D	300 min.	550 typ.	11	0.4	300	80	10
ACM3225F2DV-220T02-D	500 min.	1100 typ.	22	0.5	250	80	10
ACM3225F2DV-510T02-D	1000 min.	2600 typ.	51	0.7	200	80	10
ACM3225F2DV-101T01-D	2200 min.	5100 typ.	100	1.5	150	80	10



### 5. Schematic Diagram

